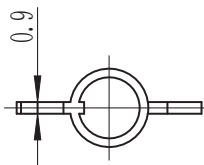
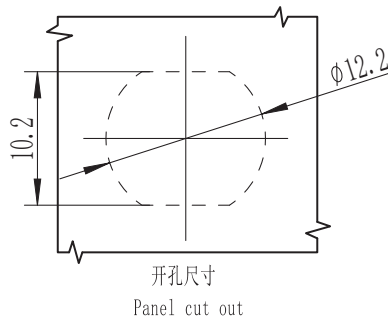
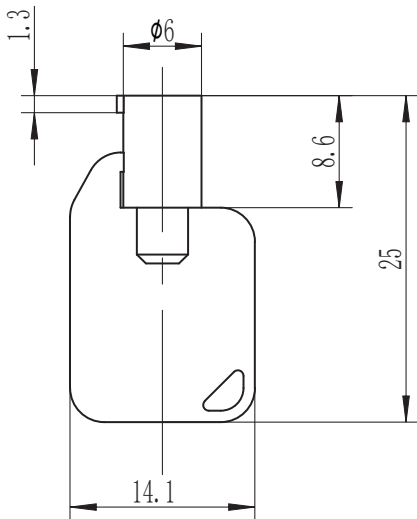
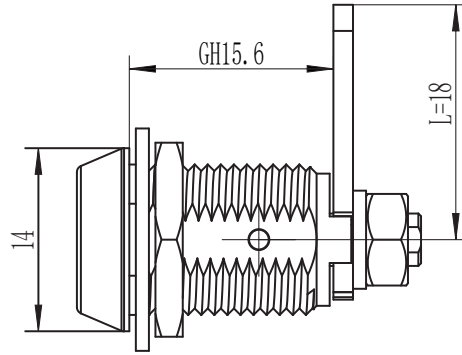
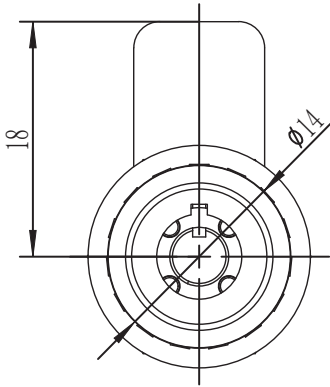


D3-1602

quarter turn lock

RL

IP40



1. Material and surface treatment:
Main body, Steel bolt: SUS304 or SUS316

2. Performance parameters:
Protection class: IP40

1. 材质及表面处理:
主体, 螺栓: SUS304 或 SUS316

2. 性能参数:
防护等级: IP40