

Safety lock with dust cover

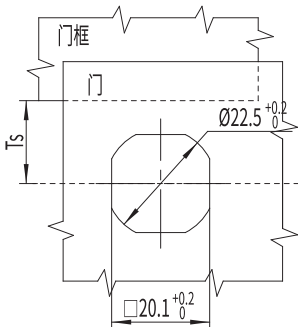
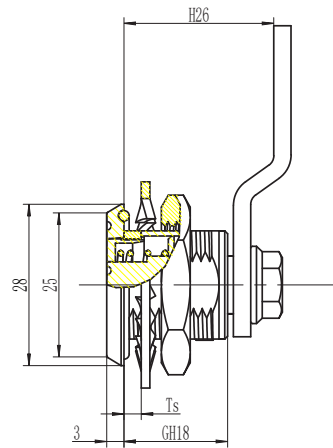
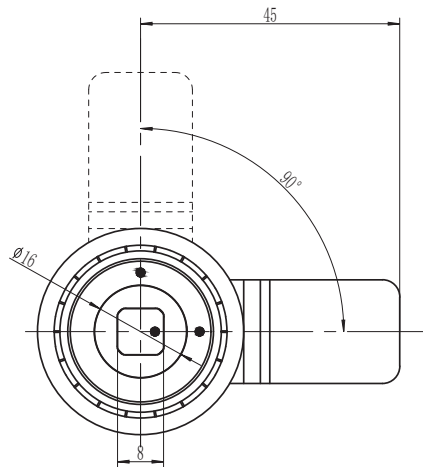
D4-1416



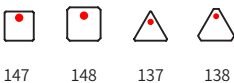
RL

IP65

S
SHIELDS
SERIES



锁芯 Cylinder



选型 Model selection

锁芯选型
Lock cylinder selection

A1 代表 SUS304
A1 represents SUS304
A2 代表 SUS316
A2 represents SUS316

D4-1416-SX-LH-A1

L 代表钢栓长度
L represents the length of the steel bolt
H 代表有效高度
H represents effective height

如 需 获 得 产 品 3 D 模 型 图 请 联 系 W W W . F O R N D . C O M

1. Material and surface treatment:
Main body, Steel bolt: SUS304 or SUS316
Sealing ring: EPDM foam.

2. Performance parameters:
Protection class: IP65

3. Installation instructions:
Fixed screw torque 8N. M
Fixed nut torque 17N. M
Applicable door panel thickness: 1-5mm

1. 材质及表面处理:
主体, 钢栓: SUS304 或 SUS316
密封圈: EPDM发泡胶

2. 性能参数:
防护等级: IP65

3. 安装说明:
固定螺丝扭矩 8N.M
固定螺母扭矩 17N.M
适用门板厚度: 1-5mm