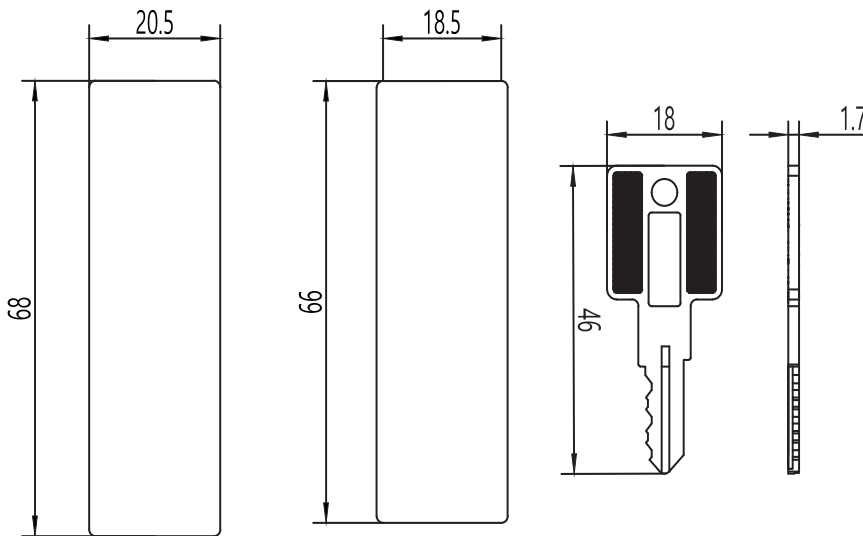
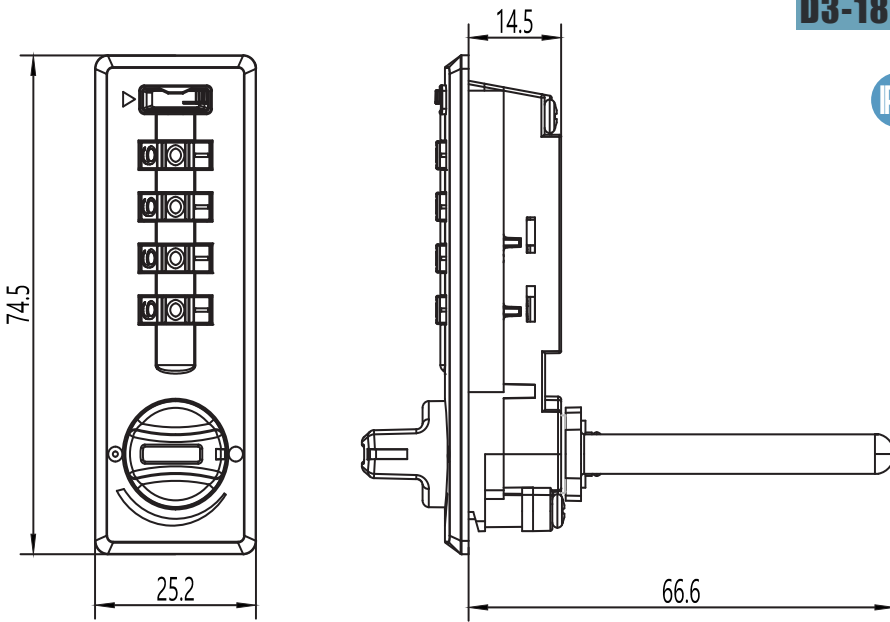


D3-1802 Combination quarter turn lock

IP40



木制安装孔尺寸
Dimensions of
wooden mounting
holes

钢制安装孔尺寸
Dimensions of
steel mounting
holes

1. Material and surface treatment:
Panel, knob, wheel: plastic
Lock cylinder: Zamak DIN-EN1774-ZnAl4Cu1

2. Performance parameters:
Protection class: IP40

1. 材质及表面处理:
面板, 旋钮, 字轮: 塑料
锁芯: 5#锌合金

2. 性能参数:
防护等级: IP40

如需获得产品 3D 模型图, 请联系 WWW.FORND.COM