

compression cam latch

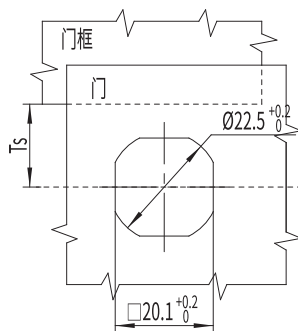
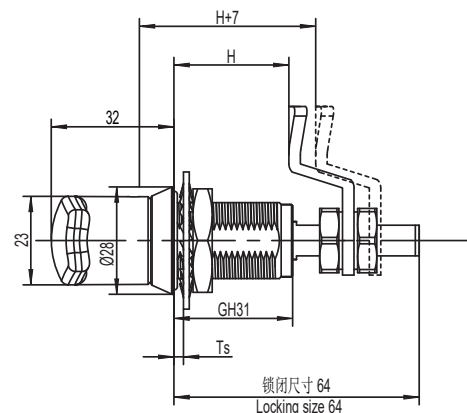
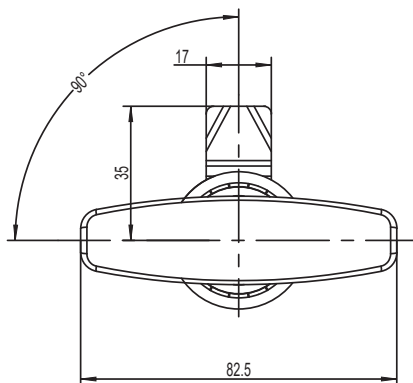
**C8-1564**



RL

IP65

SERIES



如需获得产品3D模型图，请联系WWW.FORND.COM

1. Material and surface treatment:

Main body : Zamak DIN-EN 1774-ZnAl4Cu1 or SUS304

Steel bolt: iron galvanized or SUS304  
Sealing ring: EPDM foam.

2. Performance parameters:

Protection class: IP65  
Unlocking torque:  $\leq 0.79\text{N}\cdot\text{M}$   
Ultimate load: 700N  
Tensioning and stretching amount: 7mm

3. Installation instructions:

Fixed screw torque 10N. M  
Fixed nut torque 17N. M  
Applicable door panel thickness: 1-15mm

1. 材质及表面处理:

主体: 5#锌合金 或 SUS304  
钢栓: 铁镀锌 或 SUS304  
密封圈: EPDM发泡胶。

2. 性能参数:

防护等级: IP65  
解锁扭矩: 小于等于 0.79N·M  
极限载荷: 700N  
拉紧伸缩量: 7mm

3. 安装说明:

固定螺丝扭矩 10N.M  
固定螺母扭矩 17N.M  
适用门板厚度: 1-15mm

选型 Model selection

**C8-1564-032-LH-30L**

30 代表电镀亮铬  
30 represents electroplating bright chrome  
40 代表喷塑亚光黑  
40 represents Black powder coated  
A1 代表 SUS304  
A1 represents SUS304

L 代表钢栓长度  
L represents the length of the steel bolt  
H 代表有效高度  
H represents effective height

旋转 Rotate

